



BR700

Recessed Mounted
Lowbay Lighting

BR700 with Luxeon LEDs offer optimum visual conditions while enabling maximum energy saving with "Nexens" motion-detection device for under canopies downlight

Benefits

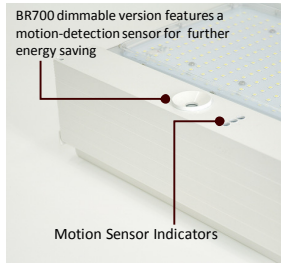
- Minimum 60% energy saving compare to high-intensity discharge lamps solution
- Better visibility at night
- Easy installation, one person to perform installation
- Minimum maintenance

Features

- Intelligent dimming system with motion sensor
- Status indicators
- Fitting available for surface-mounted and recessed-mounted

Application

- Service station canopies
- Multi Purpose Hall
- Workshops
- Factories
- Lobbies



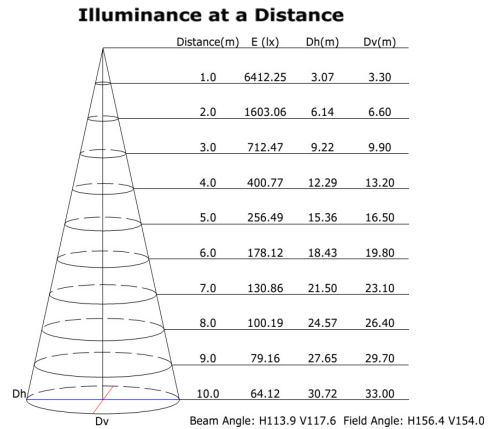
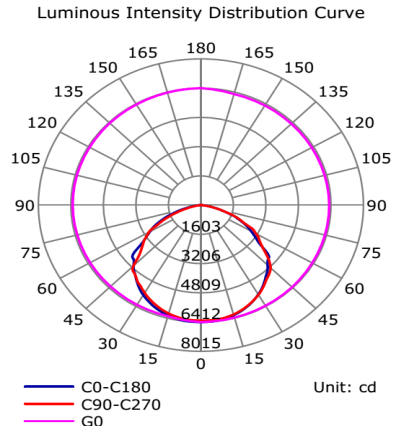
www.nexusled.com

Specifications :

Model	BR700-140-C12/S
AC Input Voltage	90 ~ 305Vac
System Power	140W
Luminous Efficacy	136lm/W
LED Driving Current	2,830mA (88mA/LED)
Luminous Flux : (HM =High Mode; LM = Low Mode)	18,780lm (HM) ; 6030lm (LM)
Light Color	Cool White (CCT : 5000 ~ 6500K)
Color Rendering index (CRI)	> 70 CRI
Beam Angle	120°
Start dimming when motion has stopped for	0.5 ~ 8 minutes (default setting at 1 minute)
Reached low or high mode in	5 sec
Sensor indicators - red led	when red led turns on it indicates UCL is on low mode
- orange led	when orange led starts to blink it indicates motion detected
- green led	when green led turns on it indicates UCL is on high mode
Operating Temperature	0 ~ 50° C

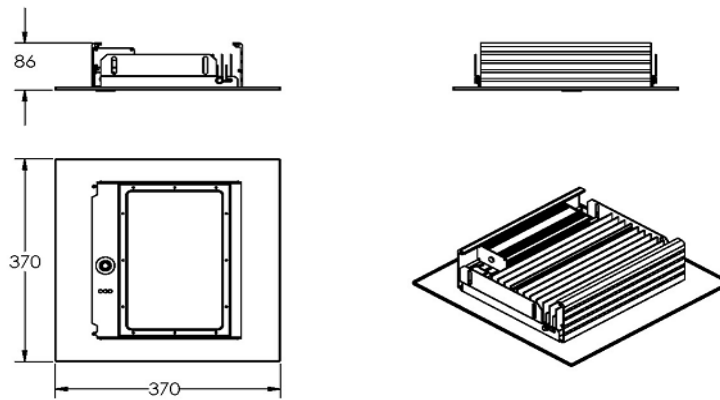
Storage Temperature	-20 ~ 80° C
Lifetime (typ.)	100,000hrs at Ta 25° C
LED Lumen Maintenance	LM80
Heatsink Material	Aluminium Extruded
Luminaire Cover Material	Clear Polycarbonate
Body Color	White
Size (L) X (W) x (H)	288mm x 248mm X 106mm
IP rating	IP65
Electrical Safety	Class I
Compliance	CE, RoHS

Photometric data :

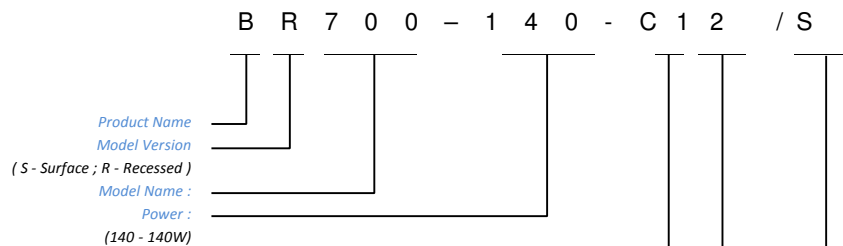


www.nexusled.com

Dimensions :



Model Name Structure:



Color : _____
 (C - Cool White ; F - Warm White)
Light Beam Angle : _____
 (OL8 - 80 degree)
 (12 - 120 degree)
Additional Features : _____
 (S - With Motion Sensor)

www.nexusled.com

Revision History :

Change Date	Revision	Description of Change	
		From	To
9-Sep-16	NR	New release	

www.nexusled.com