



BR700

Recessed Mounted

Lowbay Lighting

BR700 with Luxeon LEDs offer optimum visual conditions while enabling maximum energy saving with "Nexens" motion-detection device for under canopies downlight

Benefits

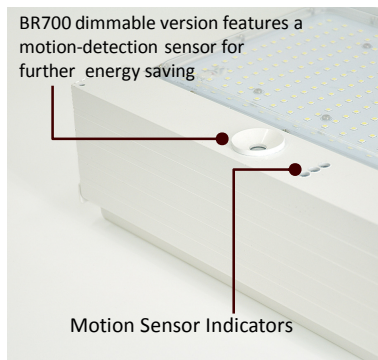
- Minimum 60% energy saving compare to high-intensity discharge lamps solution
- Better visibility at night
- Easy installation, one person to perform installation
- Minimum maintenance

Features

- Intelligent dimming system with motion sensor
- Status indicators
- Fitting available for surface-mounted and recessed-mounted

Application

- Service station canopies
- Multi Purpose Hall
- Workshops
- Factories
- Lobbies

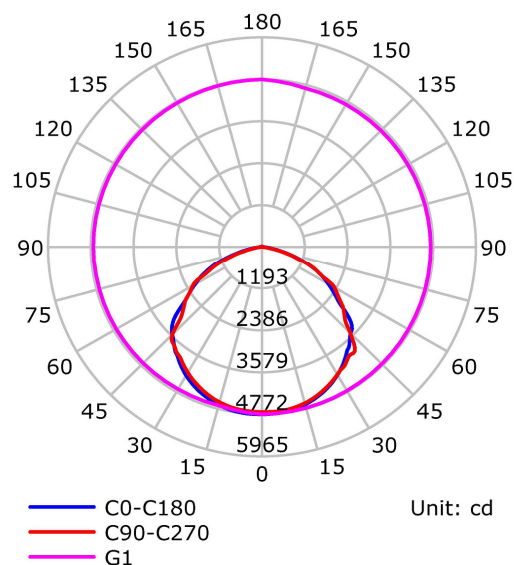


Specifications :

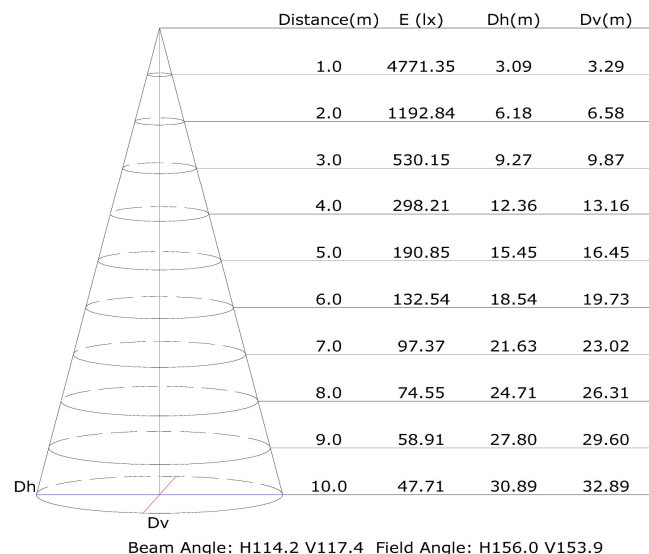
Model	BR700-100-C12/S
AC Input Voltage	90 ~ 305 Vac, 50 ~ 60 Hz
System Power	100W +5% -10%
Luminous Efficacy	138 lm/W
LED Driving Current	2,100 mA (66 mA/LED)
Luminous Flux : (HM =High Mode; LM = Low Mode)	13,970 lm (HM) ; 5,030 lm (LM)
Light Color	Cool White (CCT : 5000 ~ 6000K)
Color Rendering index (CRI)	> 70 CRI
Beam Angle	120 °
Start dimming when motion has stopped for	0.5 ~ 8 minutes (default setting at 1 minute)
Reached low or high mode in	5 sec
Sensor indicators - red led	when red led turns on it indicates UCL is in low mode
- orange led	when orange led starts to blink it indicates motion detected
- green led	when green led turns on it indicates UCL is in high mode
Operating Temperature	-30 ~ +50° C
Storage Temperature	-30 ~ +80° C
Lifetime (typ.)	100,000 hrs at Ta 25° C
LED Lumen Maintenance	LM80
Heatsink Material	Aluminium Extrusion
Luminaire Cover Material	Clear Polycarbonate
Body Color	White
Size (L) X (W) x (H)	370 mm x 370 mm X 86 mm
Weight	6.0 Kg
IP rating	IP66
Electrical Safety	Class I
Compliance	IEC, RoHS

Photometric data :

Luminous Intensity Distribution Curve

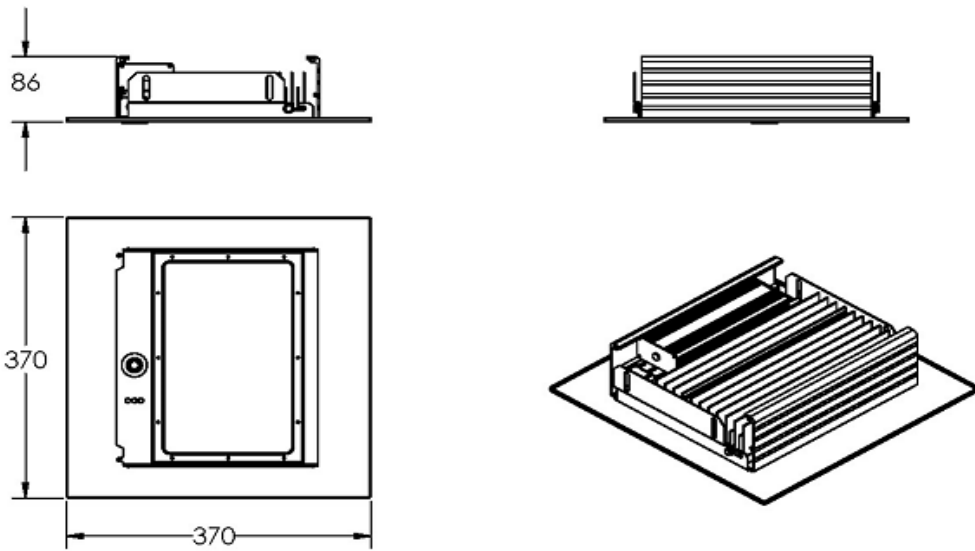


Illuminance at a Distance



www.nexusled.com

Dimensions :



Opening Hole : 340 mm x 340 mm

Model Name Structure :

