

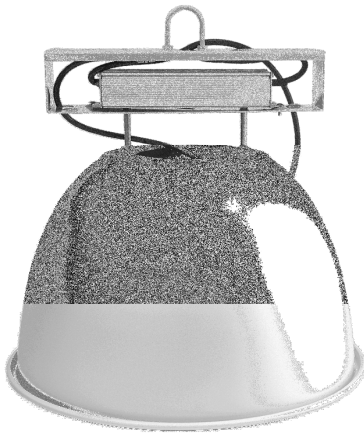


HB700C

Most of the companies are under constant pressure to lower operating cost in order to stay competitive in the market. Good lighting ensures optimal visual conditions, comfort and sense of safety while enabling huge energy savings. Good lighting products produce right amount of light at the right place ensure optimal returns on your lighting energy bill. NexusLED HB lighting system delivers attractive energy-efficient LED high bay lighting.

Benefits

- . Reduced operational costs
- . Lower maintenance costs
- . Easy and fast installation, all in one unit



Features

- . 50% energy saving compared to HID
- . Long life-span of 50,000 hours at Ta 25°C
- . Meet CE/UL standard power driver
- . No mercury or toxic gas
- . RoHS compliant

Application

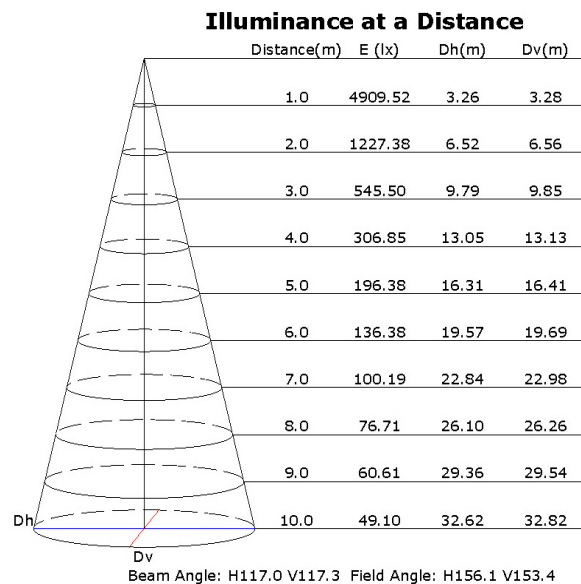
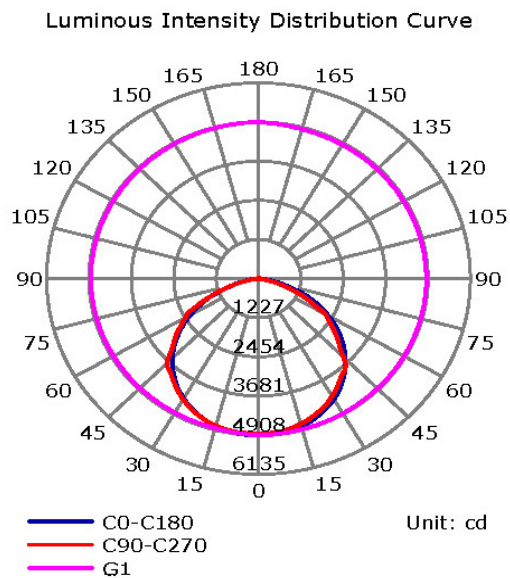
- . Warehouses
- . Covered car parks
- . Covered walkway



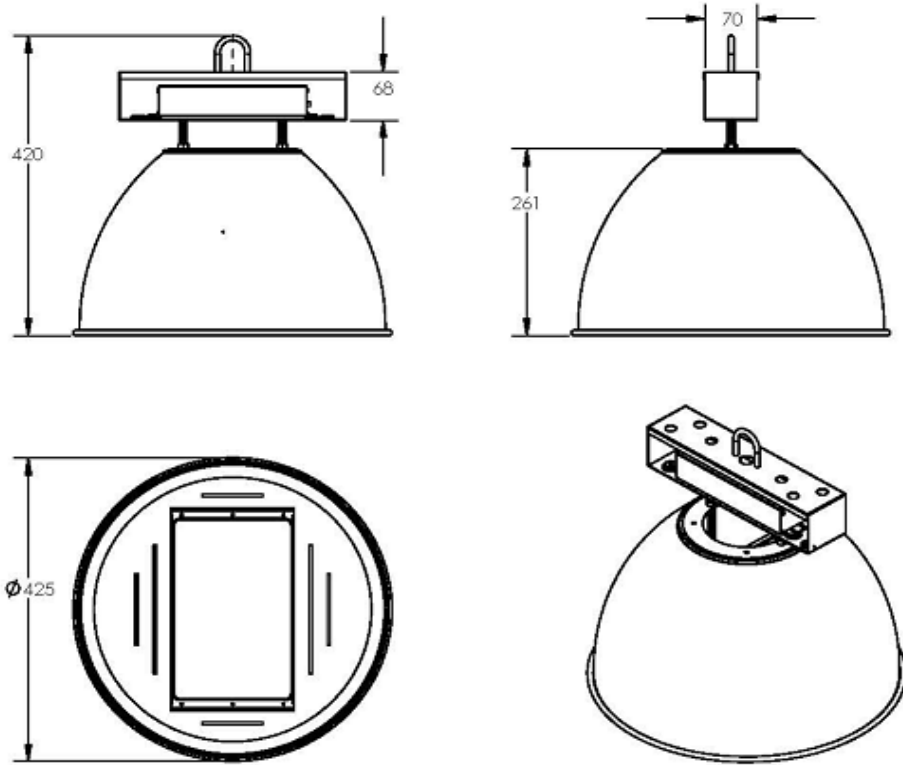
Specifications :

Model	HB700C-120-C12
AC Input Voltage	90 ~ 305Vac, 50 ~ 60Hz
System Power	120W ± 10%
Luminous Efficacy	>110lm/W
LED Driving Current	2,520mA (87.5mA each LED)
Luminous Flux	14,380lm (Hot Lumen)
Light Color	Cool White (5700 ~ 6500K)
Color Rendering index (CRI)	> 70
Beam Angle	120°
Operating Temperature	-20°C ~ 45°C
Storage Temperature	-20°C ~ 75°C
Lifetime (typ.)	50,000Hrs @ Ta 25°C
LED Lumen Maintenance	LM80
Heatsink Material	Extruded Aluminum
Luminaire Cover Material	Clear Polycarbonate
Body Color	Silver
Size (∅) X (H)	425mm x 420mm
Weight	Approx. 6kg
IP rating	IP20
Electrical Safety	Class I
Compliance	CE

Photometric data :



Dimensions :



Model Name Structure:

