

DLE-XXXSGC (10W ~ 25W) Series (Round Downlight)

Before You Begin

Read and follow these instructions completely and carefully

⚠ Warning

RISK OF ELECTRIC SHOCK

- Turn off or disconnect input power before installation or servicing
- Verify that supply voltage is correct by comparing it with the luminaire label information or product specification
- Properly ground electrical enclosure

RISK OF FIRE/INJURY

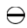
- Follow all NEC and local codes
- Use only UL or IEC approved wire for input connections (minimum wire size 18 AWG)
- Wear gloves and safety glasses at all times when performing installation or servicing

RISK OF PRODUCT DAMAGE

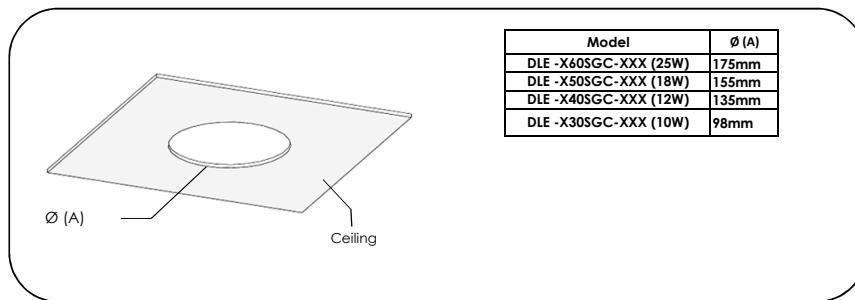
- Failure to follow instructions could result in damage to product and void ALL warranties!
- DO NOT exceed fixtures maximum operating temperature rating

Installation

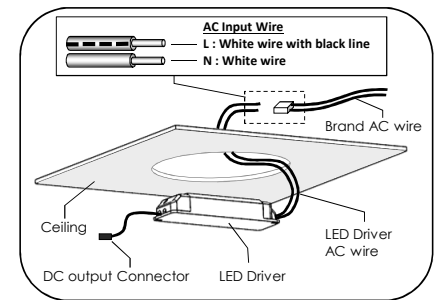
Recommended tools during installation :

- b) M4 screw driver slot head 

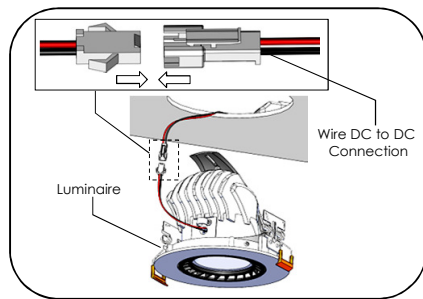
Carefully remove unit from packing box and inspect for defects before installation



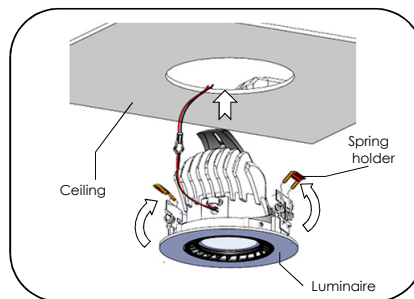
- 1 Make an opening 75mm in diameter



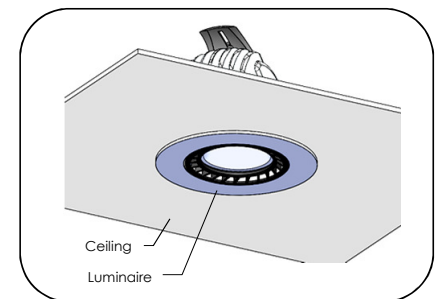
- 2 Install LED Driver AC wire to branch AC wire as in diagram
 - Connection according to local wiring requirements.
 - Installation completed



- 3 Connect DC to DC Connector as in diagram



- 4 Push spring holders upward as in diagram shown



- 5 Push the luminaire firmly in place and flush to the ceiling

Troubleshooting

Symptom

Solution

- | | |
|----------------------------|--|
| Luminaire will not turn on | <ul style="list-style-type: none"> Check wire connectors are properly connected Verify input voltage is within specs. Verify color of input wires match the color of the wires connected to |
|----------------------------|--|