

DL6T-X35-W12 (6",35W) OSRAM E30 COB



LED Down Light

Most economical down light solution with a high system efficacy. Simple design yet conforms to general lighting specifications for indoor lighting applications such as offices, shops and homes.

Benefits

- Reduce energy cost.
- Low maintenance cost.
- Easy installation or replacement.
- Light in weight.

Features

- 50% energy saving.
- Long life span - up to 50000K Hrs at 25° C.
- Meeting CE standard power driver.
- No mercury or toxic gas.
- RoHS compliance.

Application

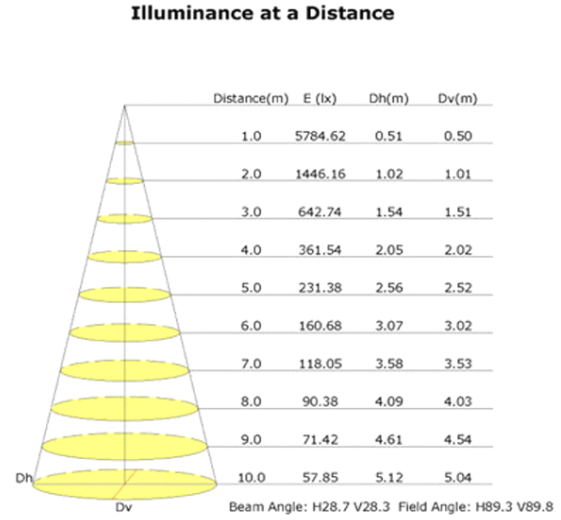
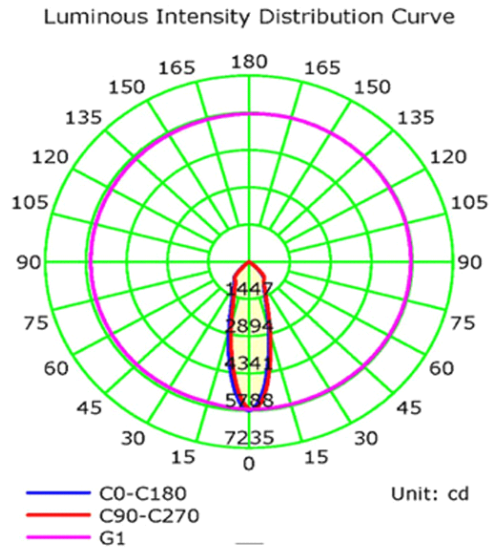
- Shop
- Offices
- Residential



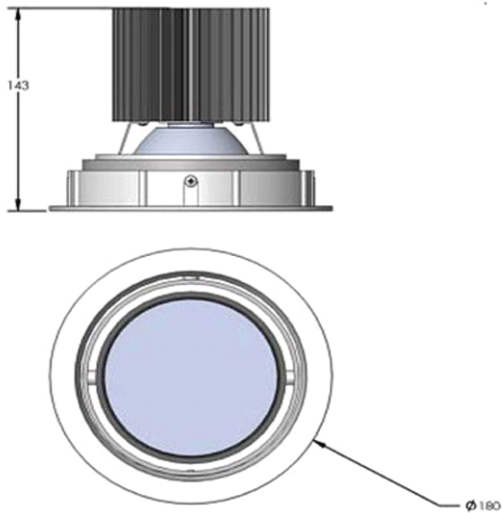
DL Series LED down light specification:

Model	DL6T-C35-W0 30	DL6T-F35-W030
AC Input	100 ~ 240Vac	
Power Factor	0.96	
System Power	35 Watt +/- 5W	
Forward Current	700mA	
No of LEDs	1pc (Osram E30 COB LED)	
CCT	5700K ~ 7000K	2700K ~ 3500K
Luminous Flux (Hot Lumen)	2830lm	2560lm
Luminaire Efficacy Rating (LER)	86lm/W	77lm/W
Beam Angle	30 °	
Operating Temperature	-30°C ~ 45°C	
Storage Temperature	-25°C ~ 75°C	
Lifetime (typ)	50,000 hours at Ta 25°C	
Size (W x H)	190mm x 48mm	
Weight	approx. 1.0kg	
Fixture Material	Die Casting	
Heatsink material	Die Casting	
IP rating	IP20	

Photometric data



Dimensional drawing



Cut out hole : 163 ~ 168mm

Model Structure Name:

