

FLT series

Before You Begin

Read and follow these instructions completely and carefully

Warning

RISK OF ELECTRIC SHOCK

- . Turn off or disconnect input power before installation or servicing
- . Verify that supply voltage is correct by comparing it with the luminaire label information or product specification
- . Properly ground electrical enclosure

RISK OF FIRE/INJURY

- . Follow all NEC and local codes
- . Use only UL or IEC approved wire for input connections (minimum wire size 18 AWG)
- . Wear gloves and safety glasses at all times when performing installation or servicing

RISK OF PRODUCT DAMAGE

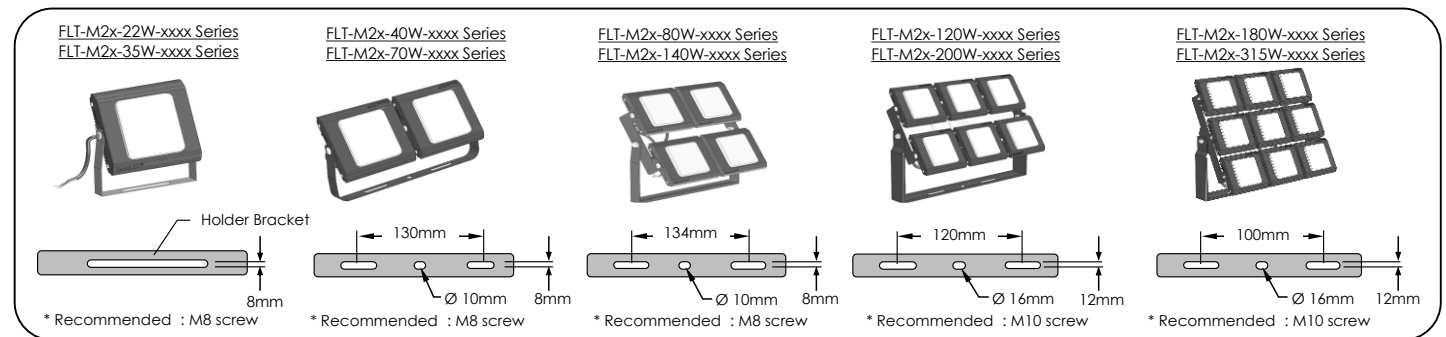
- Failure to follow instructions could result in damage to product and void ALL warranties!
- . DO NOT exceed fixtures maximum operating temperature rating

Installation

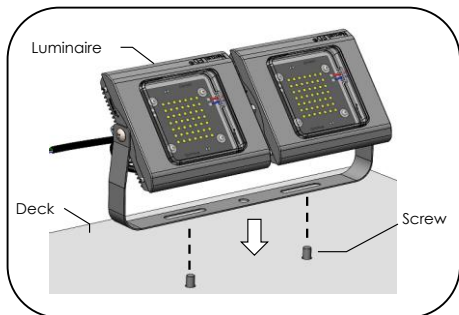
Recommended tools during installation :

- a) M6 screw driver philip
- b) Spanner size : 13mm (M8 screw) & 17mm (M10 screw)

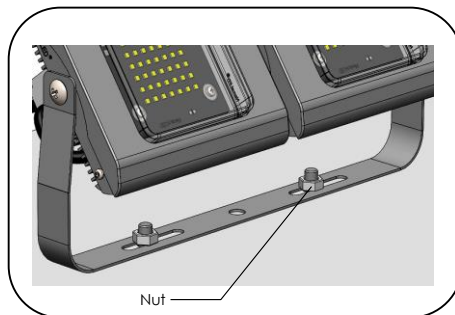
Carefully remove unit from packing box and inspect for defects before installation



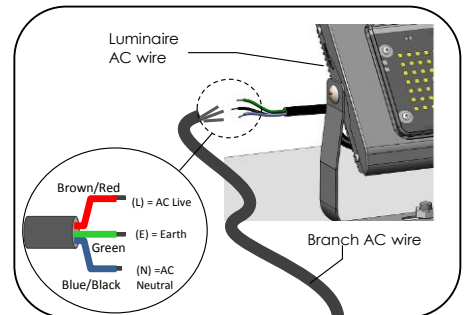
1 Ensure Luminaire deck is sturdy and structurally sound to accept Luminaire



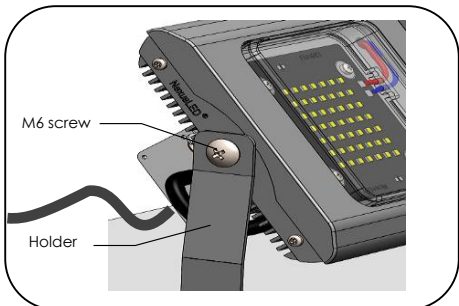
2 Install screw on the deck
.Align the luminaire to the screw



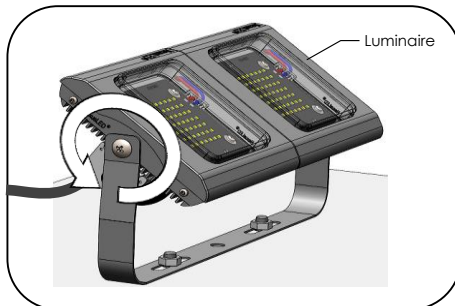
3 Fasten Luminaire to screw using the nut



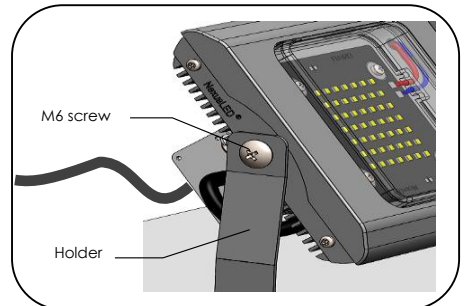
4 Install Luminaire AC wire to branch AC wire as in diagram
. Connection according to local wiring requirements.



5 Loosen screws before tilt adjustments
. Loosen the two M6 screws (Left & right) on Holder bracket as in diagram



6 Luminaire tilt adjustment
. Adjust the tilt of the Luminaire to the required angle 0 - 90 ° as in diagram



7 Locking Luminaire tilt - installation complete
. Tighten the two M6 screws (Left & right) on Holder bracket as in diagram

Troubleshooting

Symptom	Solution
Luminaire will not turn on	<ul style="list-style-type: none"> . Check wire connectors are properly connected . Verify input voltage is within specs. . Verify color of input wires match the color of the wires connected to